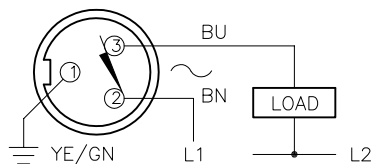


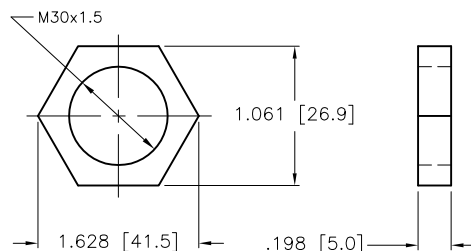
WIRING DIAGRAM



OUTPUT: RZ3X

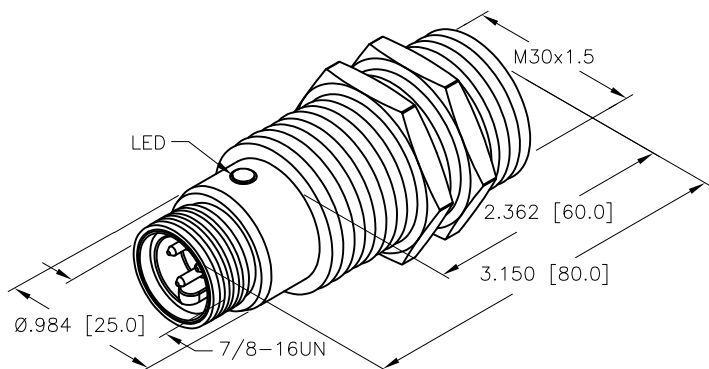
WARNING: NO SHORT-CIRCUIT PROTECTION.  
ALWAYS WIRE A LOAD IN SERIES WITH THE SENSOR.

LOCKNUT LN-M30



SPECIFICATIONS

|                             |                                    |
|-----------------------------|------------------------------------|
| RATED OPERATING DISTANCE    | 10mm = .394" (NOMINAL)             |
| MOUNTING MODE               | FLUSH                              |
| TEMPERATURE DRIFT           | ≤±10%                              |
| HYSTERESIS                  | 3-15%                              |
| MIN. REPEAT ACCURACY        | ≤2%                                |
| OPERATING TEMPERATURE       | -25°C to +70°C (-13°F to +158°F)   |
| RATED OPERATIONAL VOLTAGE   | 20-250 VAC/10-300 VDC              |
| RESIDUAL RIPPLE             | ≤ 10%                              |
| RATED OPERATIONAL CURRENT   | ≤ 500 mA                           |
| FREQUENCY                   | 40-60 Hz                           |
| RESIDUAL CURRENT            | ≤ 1.7 mA                           |
| RATED INSULATION VOLTAGE    | ≤ 1.5 kV                           |
| SURGE CURRENT               | ≤ 8.0 A (≤ 10 ms MAX. 5 Hz)        |
| SHORT-CIRCUIT PROTECTION    | NO                                 |
| MAX. VOLTAGE DROP           | ≤ 7.0 V at 500mA                   |
| WIRE BREAKAGE PROTECTION    | INCORPORATED                       |
| REVERSE POLARITY PROTECTION | INCORPORATED                       |
| MAX. SWITCHING FREQUENCY    | ≤ 0.02 kHz                         |
| SMALLEST OPERATING CURRENT  | ≥ 5.0 mA                           |
| OUTPUT FUNCTION             | 2-WIRE, NORMALLY CLOSED            |
| HOUSING MATERIAL            | BRASS, CHROME-PLATED               |
| ACTIVE FACE MATERIAL        | PLASTIC, PBT                       |
| MATING PLUGS/CABLES         | 3 PIN "MINI" CONSTRUCTION          |
| VIBRATION RESISTANCE        | 55 Hz (IN ALL 3 PLANES)            |
| SHOCK RESISTANCE            | 30 g, 11 ms                        |
| DEGREE OF PROTECTION        | MEETS NEMA 1,3,4,6,13 AND IEC IP67 |
| LED FUNCTION                | LED, RED                           |



NOTES:

1. PROTECTIVE PTFE CAP AVAILABLE FOR SENSING HEAD.  
TURCK PART NO. CAP-30-PTFE

SOURCE DRAWING - FOR REFERENCE ONLY

|   |   |  |  |              |
|---|---|--|--|--------------|
| RELATED DOCUMENTS<br>1.<br>2.<br>3.<br>4. | 3RD ANGLE PROJECTION  | THIS DRAWING IS CONFIDENTIAL AND THE PROPERTY OF TURCK INC. USE OF THIS DOCUMENT WITHOUT WRITTEN PERMISSION IS PROHIBITED. | 3000 CAMPUS DRIVE<br>MINNEAPOLIS, MN 55441<br>1-800-544-7769<br>(763) 553-7300<br>(763) 553-0708 fax<br>www.turck.us |              |
|   |   |  |  |              |
| MATERIAL                                  | DRFT SMW  | DATE 03/03/87  | DESCRIPTION<br>B110-G30-RZ3X-B1131   |              |
| FINISH                                    | APVD  | SCALE 1=1.5  | IDENTIFICATION NO.<br>43733  |              |
|   | ALL DIMENSIONS DISPLAYED ON THIS DRAWING ARE FOR REFERENCE ONLY | UNIT OF MEASUREMENT<br><b>INCH [ MILLIMETER ]</b>  | REV<br>F   |              |
|   | CONTACT TURCK FOR MORE INFORMATION                              | DO NOT SCALE THIS DRAWING  | FILE: 43733  | SHEET 1 OF 1 |

|     |  |     |          |         |
|-----|--|-----|----------|---------|
| F   | UPDATE ID NUMBER PER HARMONIZATION PROJECT | CBM | 03/26/18 |         |
| REV | DESCRIPTION                                | BY  | DATE     | ECO NO. |